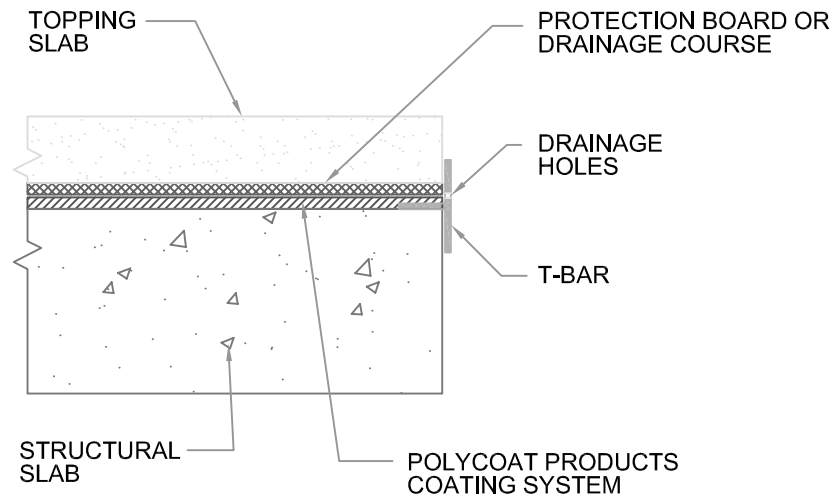


**POLYCOAT
PRODUCTS**
A Division of American Polymers Corp.

ARCHITECTURAL DETAILS



27 SLAB EDGE TERMINATION