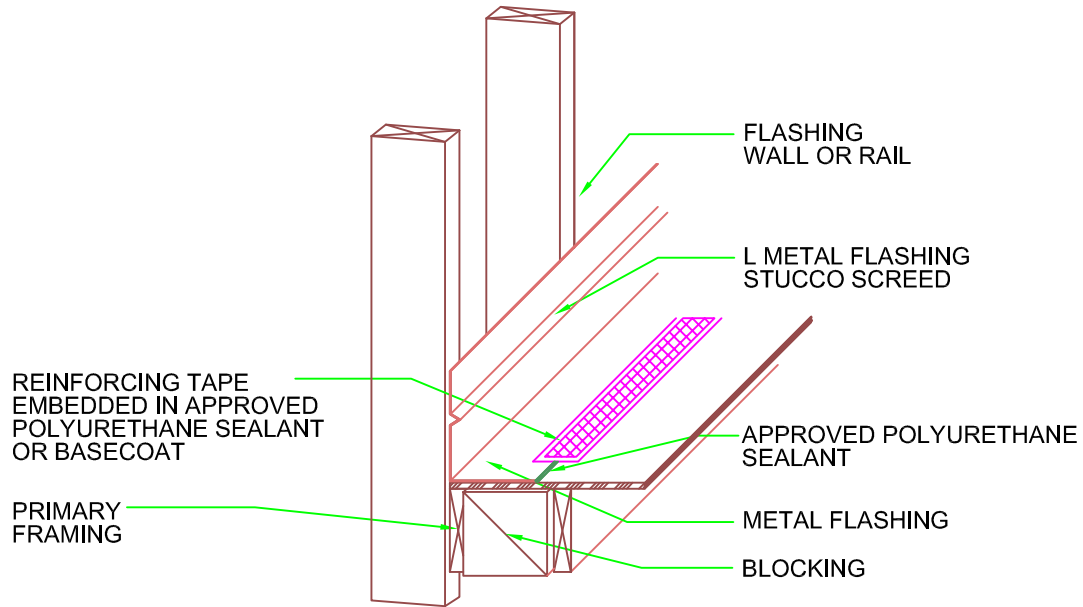




**POLYCOAT  
PRODUCTS**

A Division of American Polymers Corp.

## ARCHITECTURAL DETAILS



(SEE DETAIL 37 FOR PLYWOOD JOINT)  
**5 WALL TO DECK FLASHING**